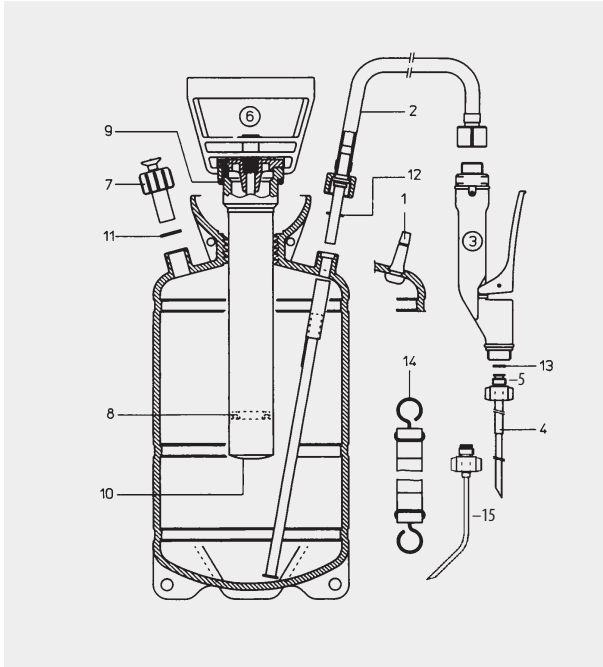


You know when  
you're in safe hands!

[www.killgerm.com](http://www.killgerm.com)

**DR5 DUSTER**


| FIG. NO.   | DESCRIPTION                 | PART NO.  | PRICE  |
|--|-----------------------------|-----------|--------|
| 1  | Valve                       | 50137531  | £4.60  |
| 2  | Hose complete               | 11478202  | £21.10 |
| 3  | Control valve complete      | 10495007A | £22.40 |
| 4  | Brass wand                  | 114 22101 | £11.40 |
| 5  | Wand connector              | 11341801  | £4.03  |
| 6  | Pump complete               | 11906301  | £28.40 |
| 7  | Pressure relief valve 3 bar | 11617901  | £9.20  |
| *  | Gasket set                  | 11629801  | £9.70  |
| Parts marked with an asterisk only included in this set. |                             |           |        |
| 8*   | Sleeve (Pack of 6)          | 11642701  | £9.20  |
| 9*   | O-ring 50.16 x 5.34         |           |        |
| 10*  | Valve gasket                |           |        |
| 11*  | Gasket 21/15.4 x 2          |           |        |
| 12*  | Gasket 15/5.5 x 2           |           |        |
| 13*  | Gasket 11.9/7 x 1           |           |        |
| 14   | Shoulder-strap              | 10453601  | £7.95  |
| 15   | Crack & crevice tip         | 11435001  | £10.40 |
|  | DR5 Maintenance Tool        | DR5TOOL   | £12.80 |